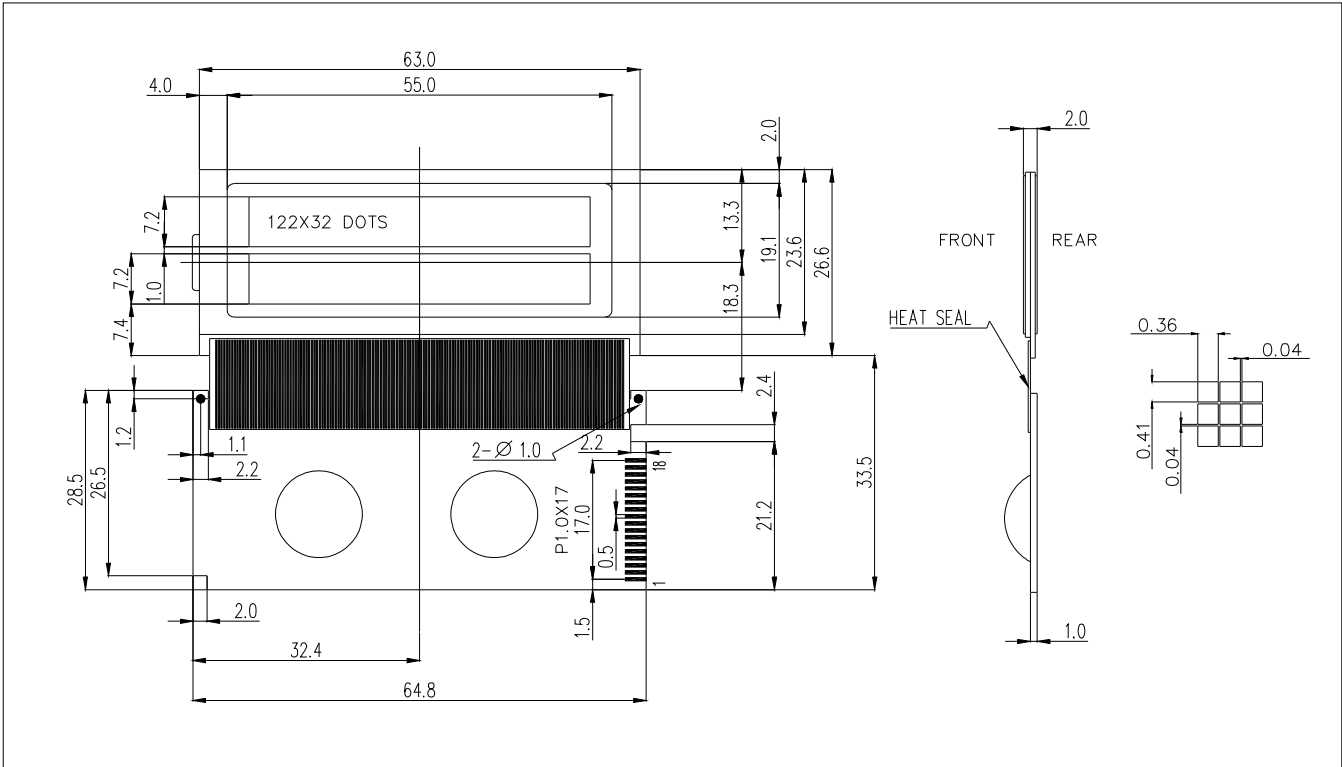


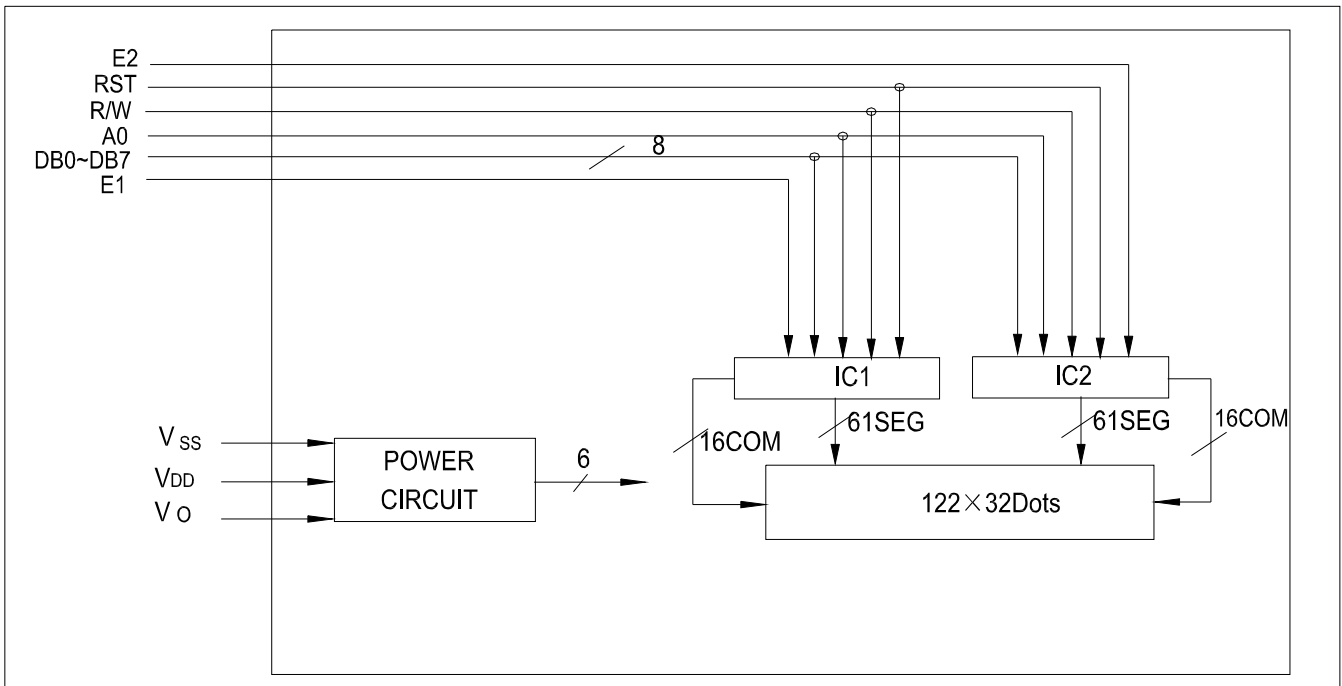
# BTG-120301B

1/32 DUTY, 1/5 BIAS  
122x32 DOTS

## 1.0 DIMENSIONAL DRAWING



## 2.0 BLOCK DIAGRAM



## 3.0 ELECTRICAL CHARACTERISTICS Ta=25 °C V<sub>DD</sub>=5.0V±0.25V

Item	Symbol	Test Condition	Standard Value			Unit
			Min.	Typ.	Max.	
Power Supply Voltage	V <sub>DD</sub> -V <sub>SS</sub>	25°C	4.5	5.0	5.5	V
LCD Operation Voltage	V <sub>OP</sub>		-	5.2	-	V
LCM Current Consumption	I <sub>DD</sub>		-	2.0	3.0	mA
Backlight Forward Voltage	V <sub>F</sub>		-	-	-	V

## 4.0 ABSOLUTE MAXIMUM RATINGS

Item	Symbol	Test Condition	Standard Value		
			Min.	Max.	Unit
Supply Voltage (Logic)	$V_{DD}-V_{SS}$	25°C	-0.3	7	V
Supply Voltage (LCD)	$V_{DD}-V_O$		-0.3	13.5	V
Input Voltage	$V_{IN}$		-0.3	$V_{DD}+0.3$	V
Operating Temp.	$T_{OPR}$	-	0	50	°C
Storage Temp.	$T_{STG}$	-	-20	70	°C

## 5.0 PIN ASSIGNMENT

PIN No.	Symbol	Description
1	$V_{DD}$	Power supply
2	GND	Power supply(GND)
3	$V_o$	Operating voltage for LCD
4	RST	Reset at rising edge
5	E1	Enable signal for IC1
6	E2	Enable signal for IC2
7	R/W	Read/Write selection H: Read; L: Write
8	A0	Register selection H: Display data; L: Instruction
9~16	DB0~DB7	Data bus
17	nc	No connection
18	nc	No connection

### Remark

1. LCD option: STN, FSTN .
2. Standard module.
3. No Backlight.