

NOTE: 1 TOLERANCES UNLESS OTHERWISE SPECIFIED: $\pm 0.25\text{mm}$

- 2 ALL DIMENSION ARE IN mm
 3 VIEWING ANGLE: 6 O' CLOCK
 4 MULTIPLEX LEVEL: 1/64 DUTY, 1/9 BIAS
 5 LCD: STN(YELLOW-GREEN MODE) OR FSTN
 6 DISPLAY MODE: TRANSFLECTIVE / POSITIVE
 7 CONNECTORS: ZEBRA
 8 DATA TRANSFER: 8-BIT PARALLEL DATA TRANSFER
 9 BACKLIGHT: LED-EDGE
 10 COLOR OF BACKLIGHT: WHITE OR YELLOW-GREEN

DETAIL A

I/O CONNECTION

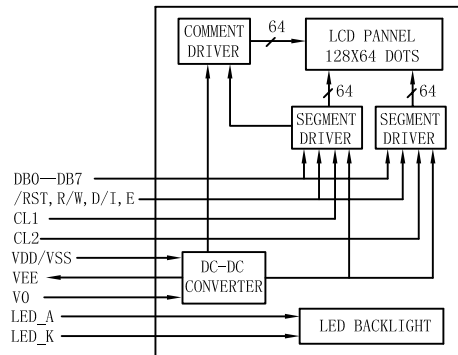
Pin No	Symbol	Function
1	VDD	Power supply (+)
2	VSS	Power supply (GND)
3	VO	Power supply for LCD
4	DB0	Data bus line
5	DB1	Data bus line
6	DB2	Data bus line
7	DB3	Data bus line
8	DB4	Data bus line
9	DB5	Data bus line
10	DB6	Data bus line
11	DB7	Data bus line
12	CS1	Chip select signal1
13	CS2	Chip select signal2
14	/RST	Reset signal
15	R/W	Read/write select signal
16	D/I	Data/Instructions select signal
17	E	Enable signal
18	VEE	Interner DC-DC output
19	LED_A	Power supply for LED (+)
20	LED_K	Power supply for LED (-)

ABSOLUTE MAXIMUM RATING

ITEM	Symbol	Condition	Min	Max	Units
Power supply for logic	Vdd-Vss	25°C	-0.3	7.0	V
LCM current consumption(No B/L)	Vdd-VO	25°C	-0.3	17.0	V
Operating voltage for LCD	Vin	25°C	-0.3	Vdd+0.3	V
Operating temperature	Top	—	-20	70	°C
Storage temperature	Tstg	—	-25	80	°C

ELECTRO-OPTICAL CHARACTERISTICS

ITEM	Symbol	Condition	Min	Typ	Max	Units
Power supply for logic	Vdd-Vss	25°C	4.5	5.0	5.5	V
LCM current consumption(No B/L)	Id	Vdd=5V	—	2.0	5.0	mA
Operating voltage for LCD	Vdd-V0	-20°C	—	—	—	V
		25°C	—	9.0	—	V
		70°C	—	—	—	V
Backlight current consumption	Iled/edge	VB/L=5.0V	—	40	—	mA



BeyondTek, Inc.

DESIGN MODEL		BTG-120601B	
VAR.	A	DATE	2004.11.12
CUSTOMER MODEL		APPROVED BY	
		CHECKED BY	
PAGE 1 OF 1		DRAWN BY	