

**1. CHARACTERISTICS:**

DISPLAY CONTENT: 128 x 64 DOTS

DRIVING MODE: 1/64D

AVAILABLE TYPES:

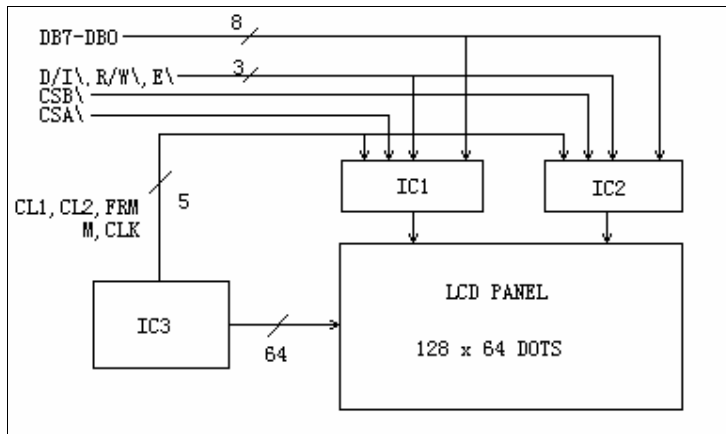
STN(YELLOW GREEN? GREY? B/W)

REFLECTIVE? WITH EL OR LED

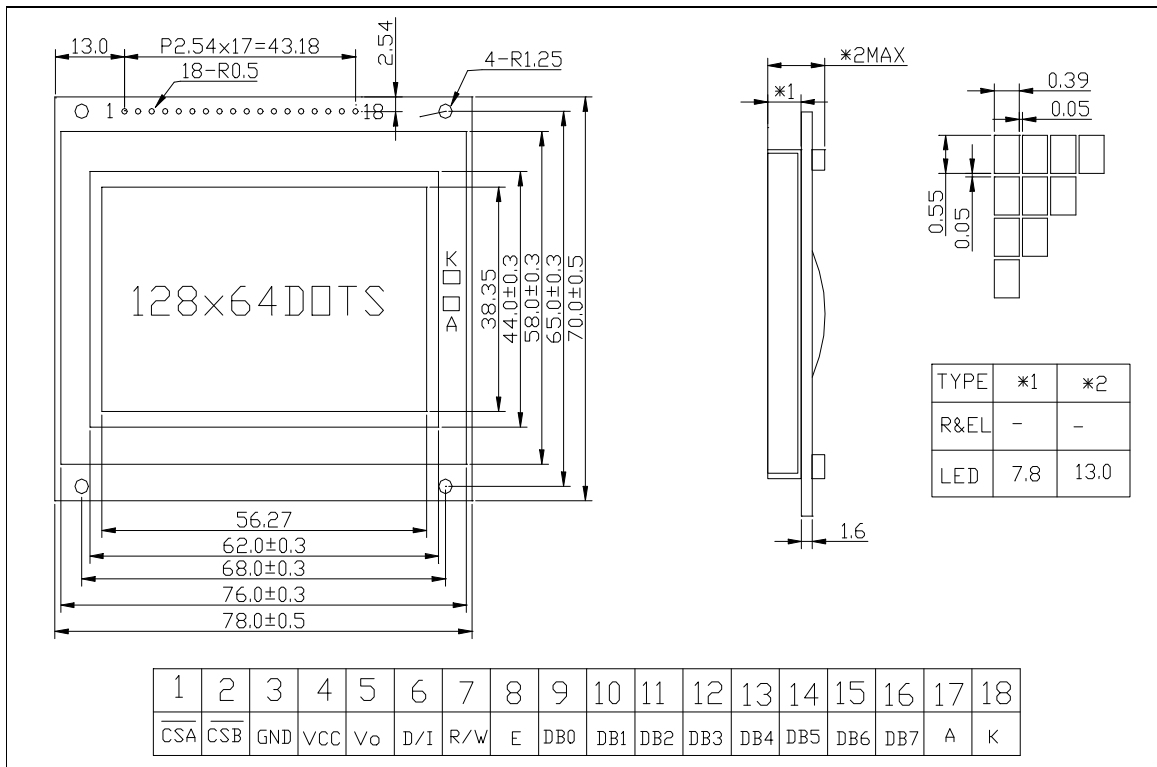
EL/100VAC, 400HZ

LED/4.2VDC

**2. APPLICATION CIRCUIT**



**3. DIMENSIONS/DISPLAY CONTENT**



#### 4. LIMIT PARAMETER

PARAMETER	Symbol	Testing Criteria	Standard Values		UNIT
			MIN	MAX	
Supply Voltage	V <sub>DD</sub> -V <sub>SS</sub>	Ta=25?	0	6.5	V
LCD Voltage	V <sub>DD</sub> -V <sub>0</sub>		0	15.0	V
Input Voltage	V <sub>I</sub>		0	V <sub>DD</sub>	V

#### 5. ELECTRIC PARAMETER

PARAMETER		Symbol	Testing Criteria	Standard Values			UNIT
				MIN	Typical	MAX	
Voltage	LOGIC	V <sub>DD</sub> -V <sub>SS</sub>	-	4.75	5.0	5.25	V
	LCD	V <sub>DD</sub> -V <sub>0</sub>	-	-	9.5	-	V
Current	LOGIC	I <sub>DD</sub>	-	-	4.0	-	mA
	LCD	I <sub>EE</sub>	-	-	3.0	-	mA
LCD Drive Voltage ( recommend)			0?	-	10.5	-	V
			25?	-	9.5	-	V
			40?	-	8.5	-	V
Input Voltage	' H' Level	V <sub>IH</sub>	High	0.7V <sub>DD</sub>	-	V <sub>DD</sub>	V
	' L' Level	V <sub>IIL</sub>	Low	0	-	0.3V <sub>DD</sub>	V

#### 6. PIN CONFIGURATION

PIN	SYMBOL	LEVEL	INSTRUCTION
1	CSA	H	Select Signal 1,High effective
2	CSB	H	Select Signal 2,High effective
3	GND	0V	Ground contact ( GND)
4	V <sub>DD</sub>	5.0V	Power Supply Voltage
5	V <sub>0</sub>	LCD Drive Voltage	Adjust Contrast
6	D/I	H/L	H: DATA; L: COMMAND
7	R/W	H/L	H: READ; L: WRITE
8	E	H,H? L	IC select signal
9	DB0	H/L	DATA 0
10	DB1	H/L	DATA 1
11	DB2	H/L	DATA 2
12	DB3	H/L	DATA 3
13	DB4	H/L	DATA 4
14	DB5	H/L	DATA 5
15	DB6	H/L	DATA 6
16	DB7	H/L	DATA 7
17	A	-	Back LED Anode
18	K	-	Back LED Negative