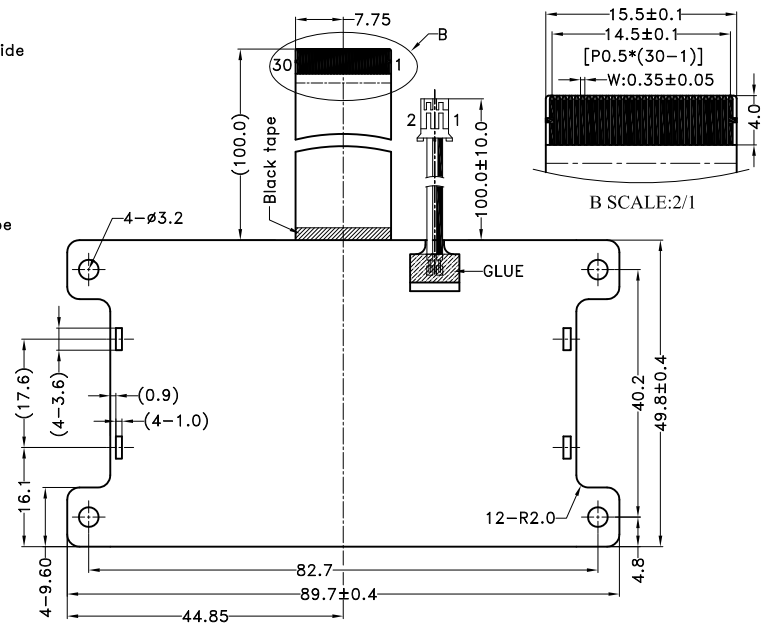
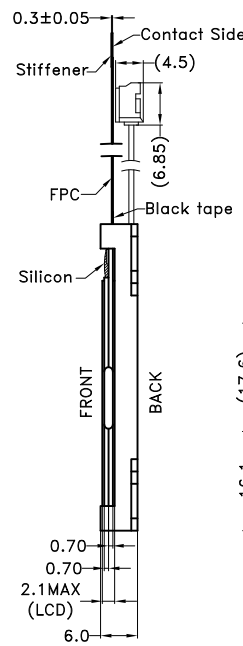
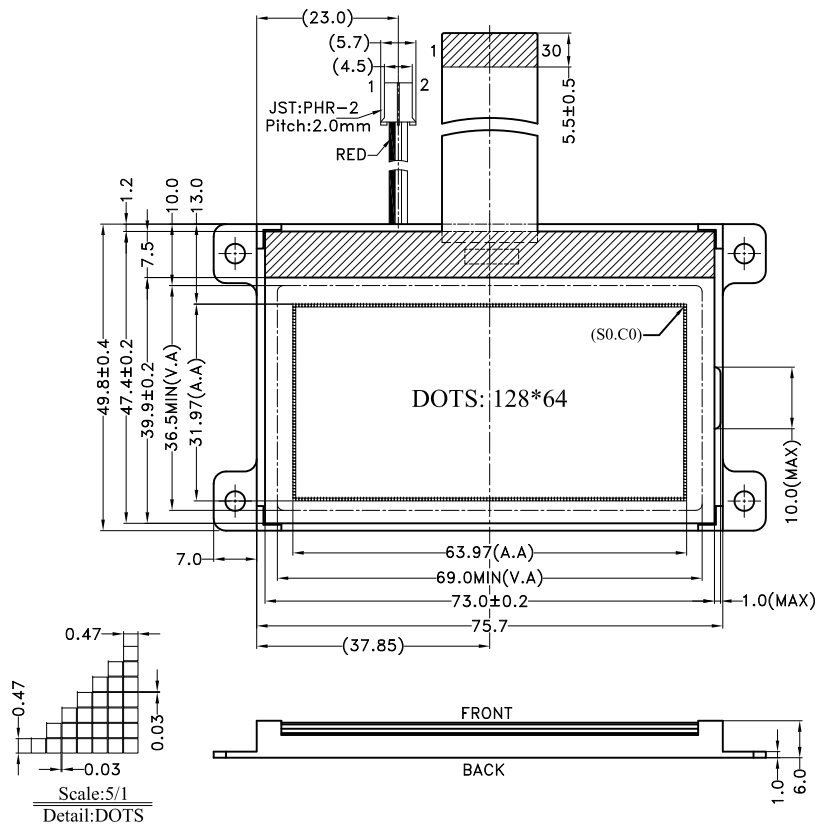


ISSUE	MODIFY DESCRIPTION	DATE
A	M4164(T01) → A	13.06.06

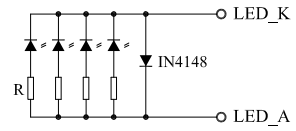


FPC ASSIGNMENT:

1	/CS1	16	VOUT
2	/RES	17	C3+
3	A0	18	C1-
4	/WR	19	C1+
5	/RD	20	C2+
6	D0	21	C2-
7	D1	22	V1
8	D2	23	V2
9	D3	24	V3
10	D4	25	V4
11	D5	26	V0
12	D6	27	VR
13	D7	28	C86
14	VDD	29	P/S
15	VSS	30	IRS

JST:PHR-2

1	LED_A
2	LED_K



Display Type	FFSTN/TRANSMISSIVE/NEGATIVE
Display Resolution	DOTS:128*64
Viewing Angle	6:00
Max.Ratio and Bias Level	1/65 DUTY , 1/9 BIAS
LCD Controller/Driver	NT7534
Logic Voltage	3.0V
LCD Driving Voltage	9.3V
Operation Temperature	-20°C TO 70°C
Storage Temperature	-30°C TO 80°C
Backlight Speciality	LED SIDE(white or blue), 4 PCS LED DIES Vf=3.4±0.3V , If=60mA
Remark	

COMPANY: BEYONDEK, INC.			
PART NO: BTG-120698G			
PROJECT NO: 8882YD10XX			
DESCRIPTION: FSTN NEG. COG LCD, GREEN B/L			
◊: Special characteristic		▽: Critical dimension	
+: Safety characteristic		(...): Reference dimension	
Tolerance unless:x.xx±0.3		Otherwise specified:x.xx±0.2	
THIRD ANGLE PROJECTION			
	NAME	SIGN	DATE
DRAWN	Lan li juan		14.11.17
CHECKED	Lan li juan		
CHECKED	Yi xiu li		
APPROVED	Wang zhao cai		
REV: A	UNIT: mm	SCALE:1/1	SHEET: 1 OF 1